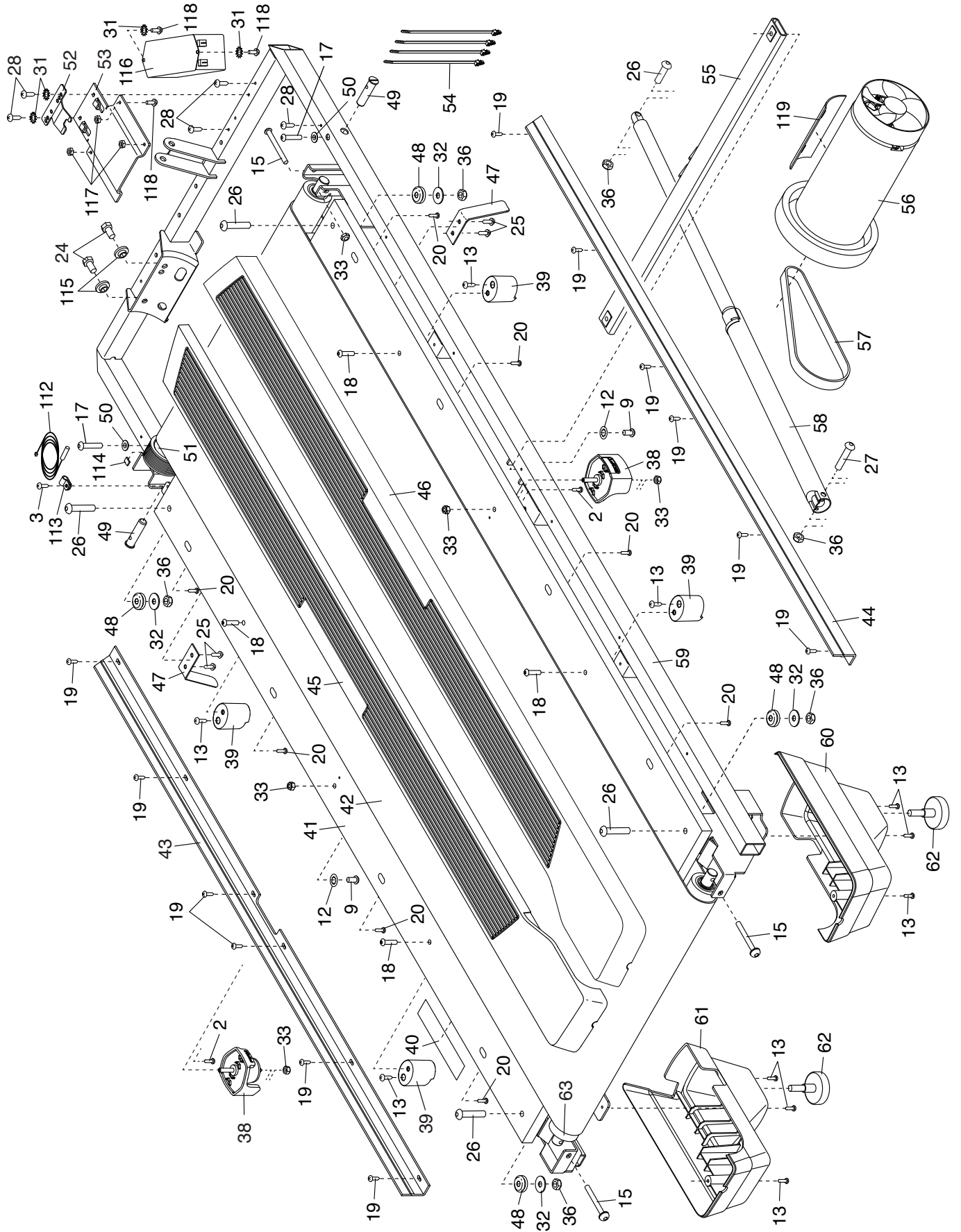


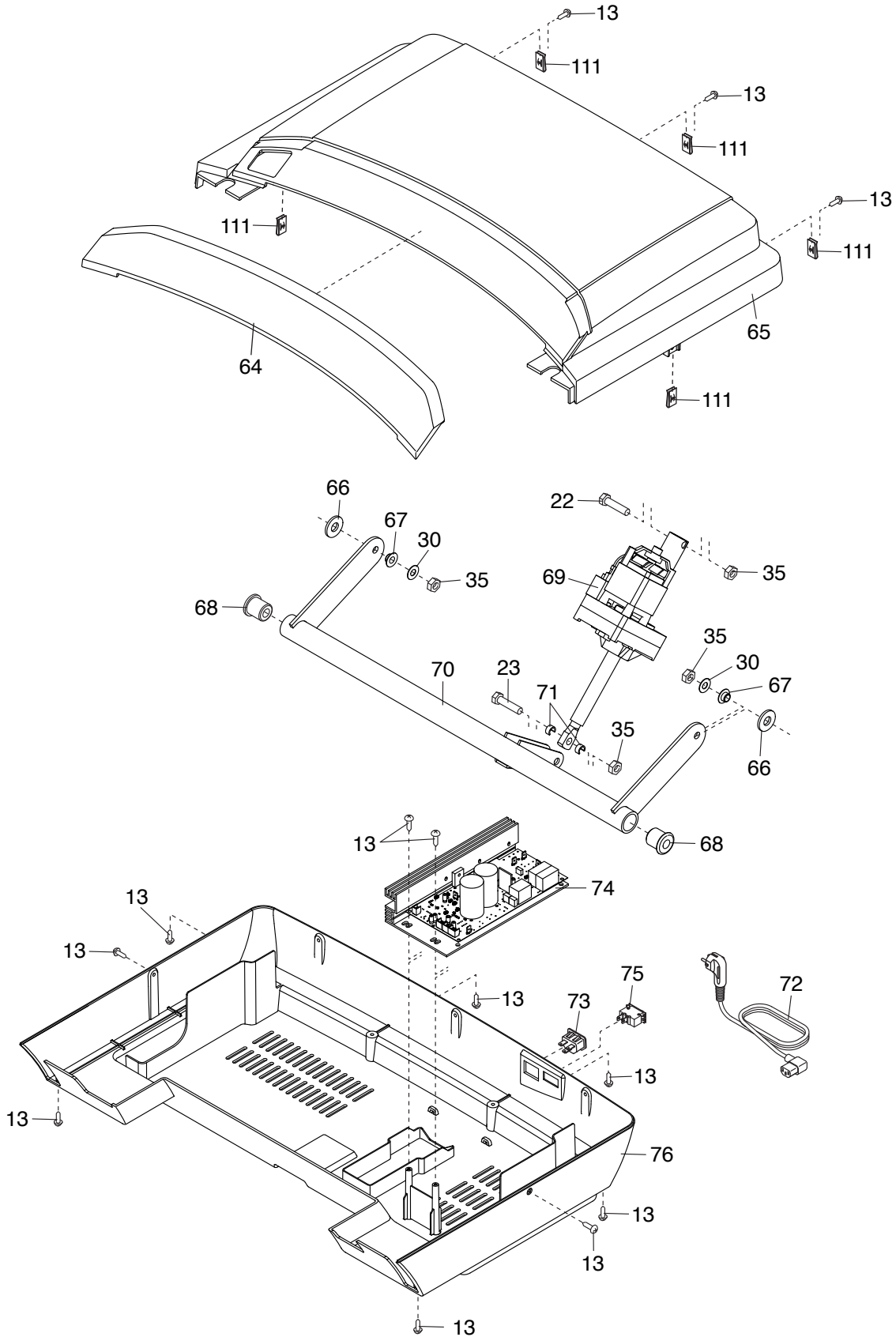
EXPLODED DRAWING A

Model No. NTL10421-INT.2 R0321A



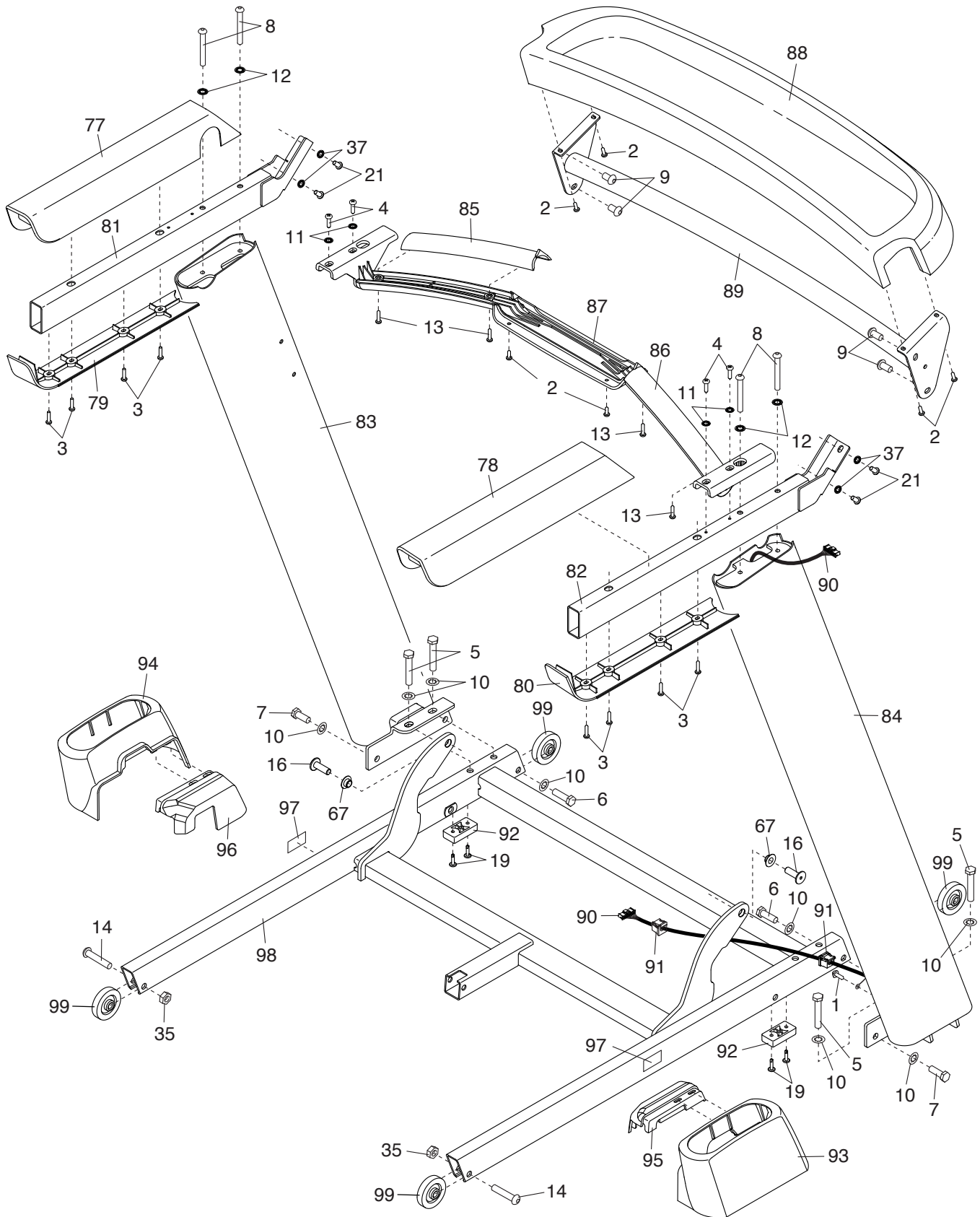
EXPLODED DRAWING B

Model No. NTL10421-INT.2 R0321A



EXPLODED DRAWING C

Model No. NTL10421-INT.2 R0321A



EXPLODED DRAWING D

Model No. NTL10421-INT.2 R0321A

